

Universal Bypass Clip

Provides either a rigid connection or vertical building movement up to 3"

Universal Bypass Clips are used to attach exterior curtain wall studs to the building structure and provide either a rigid connection or deflecting connection for vertical building movement independent of the cold-formed steel framing.

The clips are available in standard lengths of 6", 8", 10" and 12" and are ideal for medium to larger standoff conditions. Universal Bypass Clips install quickly with screws, welds or powder-actuated fasteners, and provide adjustable standoff to ensure a plumb wall plane. For deflection application, proprietary deflection screws are provided with each clip to ensure friction-free sliding.

- Eliminates shims and scabs.
- Provides vertical movement up to 3" (1-1/2" up and 1-1/2" down) when installed as a deflection application.
- Specially designed to simplify welding installation.
- Fast, one-piece universal installation.
No left or right handed clips.
- Proprietary deflection screws provide frictionless slip connections. One bag (80 screws) included.

ALTERNATIVE PRODUCTS

FastClip™ Slide Clip
Extended FastClip™ Slide Clip
Extended Uni-Clip™

MATERIAL SPECIFICATIONS

Gauge: 14 gauge (68mils)

Design Thickness: 0.0713 inches

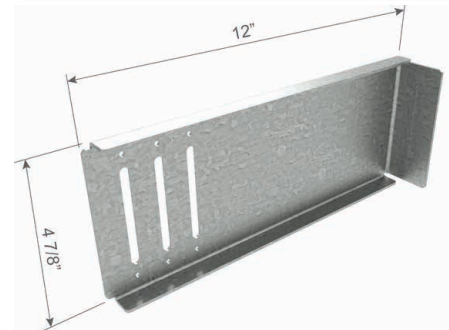
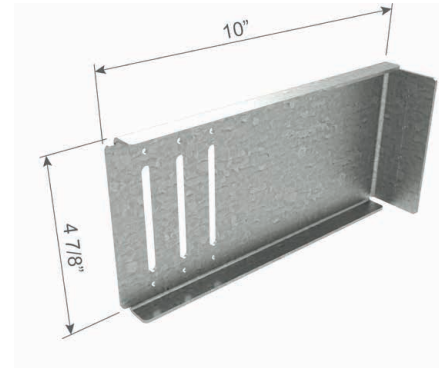
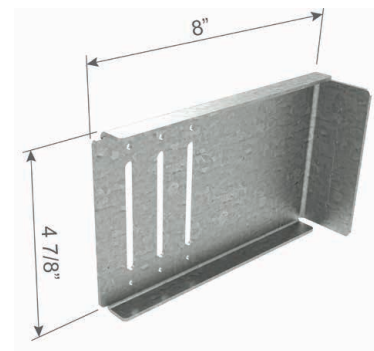
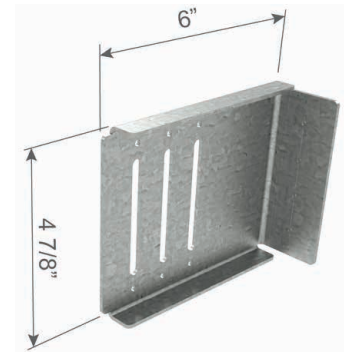
Gauge: 12 gauge (97mils)

Design Thickness: 0.1017 inches

Yield Strength: Structural Grade 50 Type H (ST50H), 50ksi (340 MPa)

Coating: G90 (Z275) hot-dipped galvanized coating

ASTM: A653, A1003



Universal Bypass Clip (UBC)

Product code	Mils (Gauge)	Design thickness	Size (in)	Pcs/Bucket
UBC6-68	68mils (14ga)	0.0713	1-7/8" x 6" x 4-7/8"	25
UBC8-68	68mils (14ga)	0.0713	1-7/8" x 8" x 4-7/8"	25
UBC10-68	68mils (14ga)	0.0713	1-7/8" x 10" x 4-7/8"	25
UBC12-68	68mils (14ga)	0.0713	1-7/8" x 12" x 4-7/8"	25
UBC6-97	97mils (12ga)	0.1017	1-7/8" x 6" x 4-7/8"	25
UBC8-97	97mils (12ga)	0.1017	1-7/8" x 8" x 4-7/8"	25
UBC10-97	97mils (12ga)	0.1017	1-7/8" x 10" x 4-7/8"	25
UBC12-97	97mils (12ga)	0.1017	1-7/8" x 12" x 4-7/8"	25

INSTALLATION

Connections to the building can be made with screws, welds powder-actuated fasteners. Mechanical fasteners shall be located on the embossed marks given on the scored line of the 1-7/8" flange. Attach building anchors to the structure according to the manufacture's instructions. Anchors shall be installed through the embossments on the scored line of the clip as shown on the attached drawings. In no case shall anchors be installed more than 3/4" from the bend on the short leg of the clip. In cases of discrepancy between this information and the Design Engineer's details, the Design Engineer's details shall be followed.

For a Rigid Connection:

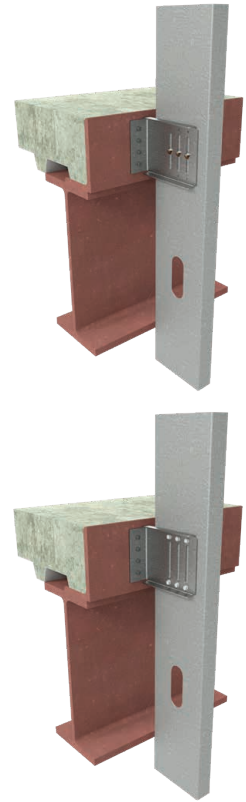
Attach the Universal Bypass Clip to cold-formed steel framing members using (6) #10-16 minimum self-drilling screws (not included) for the 14ga clip and (6) #12-14 minimum self-drilling screws (not included) for the 12ga clip, through the clip holes into the steel framing.

For a Deflection Connection:

Attach the Universal Bypass Clip to the cold-formed steel framing using (3) #14 proprietary deflection screws (included) through the (3) slotted holes and positioned to allow for the appropriate building deflection.

Proprietary Deflection Screws:

Many of the ClarkDietrich deflection clips include our proprietary deflection fastener that has been specifically designed to provide friction-free deflection. These fasteners eliminate drag, binding or resistance that can often occur with common fasteners.

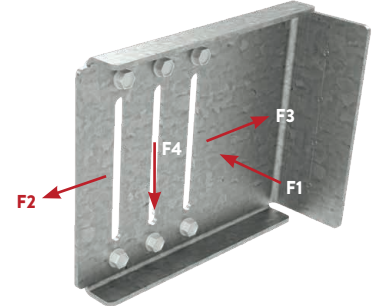


Universal Bypass Clip

UBC - 14ga (As a Rigid Connection w/ (6) screws)

ATTACHMENT TO STRUCTURAL: **DESIGNED BY OTHERS**

Clip designation	Stud gauge (mils) Yield Strength	ASD Allowable Loads (lbs)			
		F1 (In-Plane) w/ (6) #10-16	F2 (Tension) w/ (6) #10-16	F3 (Compression) w/ (6) #10-16	F4 (Shear) w/ (6) #10-16
UBC6-68 68mils (14ga)	33mils (20ga) 33ksi	165	1060	1060	395
	43mils (18ga) 33ksi	215	1450	1575	590
	54mils (16ga) 50ksi	255	1450	1590	1055
	68mils (14ga) 50ksi	255	1450	1590	1055
	97mils (12ga) 50ksi	255	1450	1590	1055
UBC8-68 68mils (14ga)	33mils (20ga) 33ksi	165	1060	1060	290
	43mils (18ga) 33ksi	215	1450	1405	430
	54mils (16ga) 50ksi	220	1450	1405	770
	68mils (14ga) 50ksi	220	1450	1405	770
	97mils (12ga) 50ksi	220	1450	1405	770
UBC10-68 68mils (14ga)	33mils (20ga) 33ksi	165	1060	1060	225
	43mils (18ga) 33ksi	190	1450	1385	340
	54mils (16ga) 50ksi	190	1450	1385	605
	68mils (14ga) 50ksi	190	1450	1385	605
	97mils (12ga) 50ksi	190	1450	1385	605
UBC12-68 68mils (14ga)	33mils (20ga) 33ksi	160	1060	1060	185
	43mils (18ga) 33ksi	160	1430	1285	280
	54mils (16ga) 50ksi	160	1430	1285	495
	68mils (14ga) 50ksi	160	1430	1285	495
	97mils (12ga) 50ksi	160	1430	1285	495



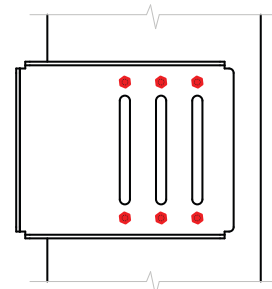
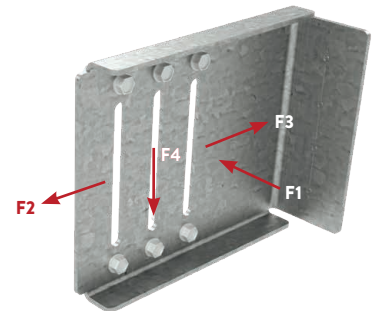
Notes:

- 1 Allowable loads (ASD) listed represent the capacity of the clip to the stud only. (Framing Connection)
- 2 Allowable Loads have not been increased for the wind, seismic, or other factors.
- 3 An 1/8-in service deflection load limit was applied to clips resisting F2, F3 and F4 loads. In accordance with ICC AC 261, service deflection limit was not applied to clips resisting F1 loads.
- 4 Listed capacities are based on the maximum screw pattern. For maximum screw pattern for a Rigid Clip, fill screws in (6) round holes.
- 5 For 12ga Rigid clip, (6) #12-14 screws shall be installed in the pilot holes. For 14ga Rigid clip, (6) #10-16 screws shall be installed in the pilot holes.
- 6 It is the responsibility of the design professional to design the attachment of the clips to the structure and verify that their capacity meets the requirements of the intended application.
- 7 Nominal or LRFD loads are available upon request.

UBC - 14ga (As a Rigid Connection w/ (6) screws)

ATTACHMENT TO STRUCTURAL: **WELDED**

Clip designation	Stud gauge (mils) Yield Strength	ASD Allowable Loads (lbs)			
		F1 (In-Plane) w/ (6) #10-16	F2 (Tension) w/ (6) #10-16	F3 (Compression) w/ (6) #10-16	F4 (Shear) w/ (6) #10-16
UBC6-68 68mils (14ga)	33mils (20ga) 33ksi	165	1060	1060	395
	43mils (18ga) 33ksi	215	1575	1575	590
	54mils (16ga) 50ksi	255	1755	1590	1055
	68mils (14ga) 50ksi	255	1755	1590	1055
	97mils (12ga) 50ksi	255	1755	1590	1055
UBC8-68 68mils (14ga)	33mils (20ga) 33ksi	165	1060	1060	290
	43mils (18ga) 33ksi	215	1575	1405	430
	54mils (16ga) 50ksi	220	1675	1405	770
	68mils (14ga) 50ksi	220	1675	1405	770
	97mils (12ga) 50ksi	220	1675	1405	770
UBC10-68 68mils (14ga)	33mils (20ga) 33ksi	165	1060	1060	225
	43mils (18ga) 33ksi	190	1575	1385	340
	54mils (16ga) 50ksi	190	1675	1385	605
	68mils (14ga) 50ksi	190	1675	1385	605
	97mils (12ga) 50ksi	190	1675	1385	605
UBC12-68 68mils (14ga)	33mils (20ga) 33ksi	160	1060	1060	185
	43mils (18ga) 33ksi	160	1575	1285	280
	54mils (16ga) 50ksi	160	1675	1285	495
	68mils (14ga) 50ksi	160	1675	1285	495
	97mils (12ga) 50ksi	160	1675	1285	495



12ga Clip: (6) #12-14 Screws
14ga Clip: (6) #10-16 Screws
Shown in a UBC6 Clip

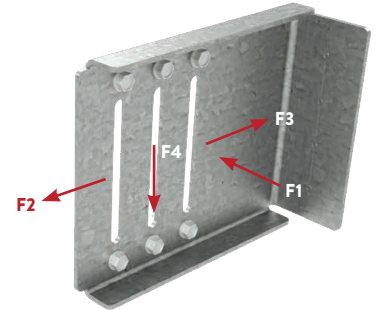
Notes:

- 1 Allowable Loads (ASD) have not been increased for the wind, seismic, or other factors.
- 2 Listed capacities are based on the maximum screw pattern. For maximum screw pattern for a Rigid Clip, fill screws in (6) round holes.
- 3 For 12ga Rigid clip, (6) #12-14 screws shall be installed in the pilot holes. For 14ga Rigid clip, (6) #10-16 screws shall be installed in the pilot holes.
- 4 The Allowable loads listed for welds are based on the following weld lengths:
- (2) Welds - 1" along back of short leg clip bend (each weld equally distanced from center of clip).
- 5 Use E70XX (min.) electrodes.
- 6 It is the responsibility of the design professional to verify that the connection design meets the requirements of the intended application.
- 7 Nominal or LRFD loads are available upon request.

UBC - 14ga (As a Rigid Connection w/ (6) screws)

ATTACHMENT TO STRUCTURAL: (4) #12-24 FASTENERS

Clip designation	Stud gauge (mils) Yield Strength	ASD Allowable Loads (lbs)			
		F1 (In-Plane) w/ (6) #10-16	F2 (Tension) w/ (6) #10-16	F3 (Compression) w/ (6) #10-16	F4 (Shear) w/ (6) #10-16
UBC6-68 68mils (14ga)	33mils (20ga) 33ksi	165	1060	1060	395
	43mils (18ga) 33ksi	215	1450	1575	590
	54mils (16ga) 50ksi	255	1450	1590	1055
	68mils (14ga) 50ksi	255	1450	1590	1055
	97mils (12ga) 50ksi	255	1450	1590	1055
UBC8-68 68mils (14ga)	33mils (20ga) 33ksi	165	1060	1060	290
	43mils (18ga) 33ksi	215	1450	1405	430
	54mils (16ga) 50ksi	220	1450	1405	770
	68mils (14ga) 50ksi	220	1450	1405	770
	97mils (12ga) 50ksi	220	1450	1405	770
UBC10-68 68mils (14ga)	33mils (20ga) 33ksi	165	1060	1060	225
	43mils (18ga) 33ksi	190	1450	1385	340
	54mils (16ga) 50ksi	190	1450	1385	605
	68mils (14ga) 50ksi	190	1450	1385	605
	97mils (12ga) 50ksi	190	1450	1385	605
UBC12-68 68mils (14ga)	33mils (20ga) 33ksi	160	1060	1060	185
	43mils (18ga) 33ksi	160	1430	1285	280
	54mils (16ga) 50ksi	160	1430	1285	495
	68mils (14ga) 50ksi	160	1430	1285	495
	97mils (12ga) 50ksi	160	1430	1285	495



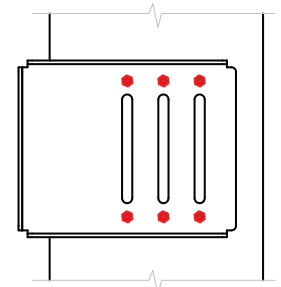
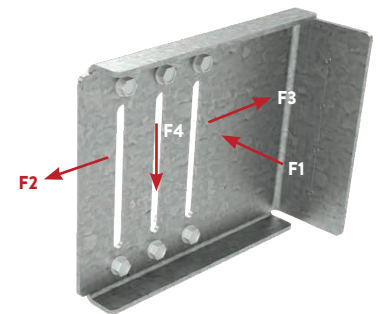
Notes:

- 1 Allowable Loads (ASD) have not been increased for the wind, seismic, or other factors.
- 2 An 1/8-in service deflection load limit was applied to clips resisting F2, F3 and F4 loads. In accordance with ICC AC 261, service deflection limit was not applied to clips resisting F1 loads.
- 3 Listed capacities are based on the maximum screw pattern. For maximum screw pattern for a Rigid Clip, fill screws in (6) round holes.
- 4 For 12ga Rigid clip, (6) #12-14 screws shall be installed in the pilot holes. For 14ga Rigid clip, (6) #10-16 screws shall be installed in the pilot holes.
- 5 #12-24 Fasteners shall be used for attachment to steel structure. (4) Fastener configuration shall be used. Screws should be placed at indentations scribed on the short leg of the UBC clip.
- 6 The minimum edge distance for each fastener type shall comply with the fastener manufacturer's recommendation.
- 7 It is the responsibility of the design professional to verify that the connection design meets the requirements of the intended application.
- 8 Nominal or LRFD loads are available upon request.

UBC - 14ga (As a Rigid Connection w/ (6) screws)

ATTACHMENT TO STRUCTURAL: (4) 0.157" PAFs

Clip designation	Stud gauge (mils) Yield Strength	ASD Allowable Loads (lbs)			
		F1 (In-Plane) w/ (6) #10-16	F2 (Tension) w/ (6) #10-16	F3 (Compression) w/ (6) #10-16	F4 (Shear) w/ (6) #10-16
UBC6-68 68mils (14ga)	33mils (20ga) 33ksi	165	1060	1060	395
	43mils (18ga) 33ksi	215	1450	1575	590
	54mils (16ga) 50ksi	255	1450	1590	1055
	68mils (14ga) 50ksi	255	1450	1590	1055
	97mils (12ga) 50ksi	255	1450	1590	1055
UBC8-68 68mils (14ga)	33mils (20ga) 33ksi	165	1060	1060	290
	43mils (18ga) 33ksi	215	1450	1405	430
	54mils (16ga) 50ksi	220	1450	1405	770
	68mils (14ga) 50ksi	220	1450	1405	770
	97mils (12ga) 50ksi	220	1450	1405	770
UBC10-68 68mils (14ga)	33mils (20ga) 33ksi	165	1060	1060	225
	43mils (18ga) 33ksi	190	1450	1385	340
	54mils (16ga) 50ksi	190	1450	1385	605
	68mils (14ga) 50ksi	190	1450	1385	605
	97mils (12ga) 50ksi	190	1450	1385	605
UBC12-68 68mils (14ga)	33mils (20ga) 33ksi	160	1060	1060	185
	43mils (18ga) 33ksi	160	1430	1285	280
	54mils (16ga) 50ksi	160	1430	1285	495
	68mils (14ga) 50ksi	160	1430	1285	495
	97mils (12ga) 50ksi	160	1430	1285	495



12ga Clip: (6) #12-14 Screws
14ga Clip: (6) #10-16 Screws
Shown in a UBC6 Clip

Notes:

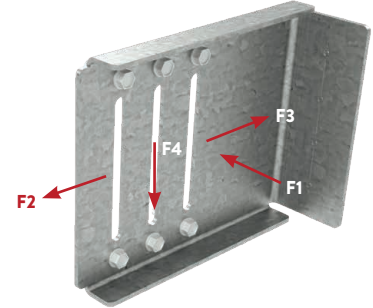
- 1 Allowable Loads (ASD) have not been increased for the wind, seismic, or other factors.
- 2 Nominal or LRFD loads are available upon request.
- 3 Listed capacities are based on the maximum screw pattern. For maximum screw pattern for a Rigid Clip, fill screws in (6) round holes.
- 4 For 12ga Rigid clip, (6) #12-14 screws shall be installed in the pilot holes. For 14ga Rigid clip, (6) #10-16 screws shall be installed in the pilot holes.
- 5 0.157" Hilti X-U PAFs shall be used for attachment to steel structure. (4) Fastener configuration shall be used. PAFs should be placed at indentations scribed on the short leg of the UBC clip.
- 6 Capacities considered for Hilti PAFs are based on fastener strengths listed in ICC ESR-2269.
- 7 It is the responsibility of the design professional to verify that the connection design meets the requirements of the intended application.
- 8 An 1/8-in service deflection load limit was applied to clips resisting F2, F3 and F4 loads. In accordance with ICC AC 261, service deflection limit was not applied to clips resisting F1 loads.

Universal Bypass Clip

UBC - 12ga (As a Rigid Connection w/ (6) screws)

ATTACHMENT TO STRUCTURAL: **DESIGNED BY OTHERS**

Clip designation	Stud gauge (mils) Yield Strength	ASD Allowable Loads (lbs)			
		F1 (In-Plane) w/ (6) #12-14	F2 (Tension) w/ (6) #12-14	F3 (Compression) w/ (6) #12-14	F4 (Shear) w/ (6) #12-14
UBC6-97 97mils (12ga)	33mils (20ga) 33ksi	190	1130	1130	425
	43mils (18ga) 33ksi	245	1680	1680	630
	54mils (16ga) 50ksi	265	2115	2540	1230
	68mils (14ga) 50ksi	265	2115	2540	1230
	97mils (12ga) 50ksi	265	2115	2540	1230
UBC8-97 97mils (12ga)	33mils (20ga) 33ksi	190	1130	1130	310
	43mils (18ga) 33ksi	240	1680	1680	460
	54mils (16ga) 50ksi	240	2115	2315	885
	68mils (14ga) 50ksi	240	2115	2315	885
	97mils (12ga) 50ksi	240	2115	2315	885
UBC10-97 97mils (12ga)	33mils (20ga) 33ksi	190	1130	1130	245
	43mils (18ga) 33ksi	225	1680	1680	360
	54mils (16ga) 50ksi	225	2115	2055	690
	68mils (14ga) 50ksi	225	2115	2055	690
	97mils (12ga) 50ksi	225	2115	2055	690
UBC12-97 97mils (12ga)	33mils (20ga) 33ksi	190	1130	1130	200
	43mils (18ga) 33ksi	195	1680	1680	295
	54mils (16ga) 50ksi	195	2115	2055	605
	68mils (14ga) 50ksi	195	2115	2055	630
	97mils (12ga) 50ksi	195	2115	2055	630



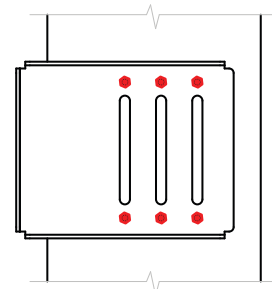
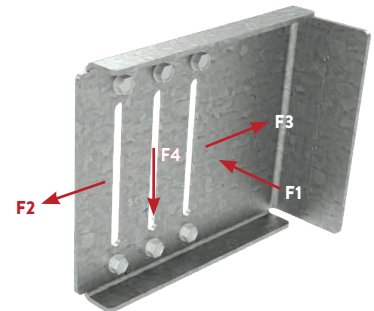
Notes:

- 1 Allowable loads (ASD) listed represent the capacity of the clip to the stud only. (Framing Connection)
- 2 Allowable Loads have not been increased for the wind, seismic, or other factors.
- 3 An 1/8-in service deflection load limit was applied to clips resisting F2, F3 and F4 loads. In accordance with ICC AC 261, service deflection limit was not applied to clips resisting F1 loads.
- 4 Listed capacities are based on the maximum screw pattern. For maximum screw pattern for a Rigid Clip, fill screws in (6) round holes.
- 5 For 12ga Rigid clip, (6) #12-14 screws shall be installed in the pilot holes. For 14ga Rigid clip, (6) #10-16 screws shall be installed in the pilot holes.
- 6 It is the responsibility of the design professional to design the attachment of the clips to the structure and verify that their capacity meets the requirements of the intended application.
- 7 Nominal or LRFD loads are available upon request.

UBC - 12ga (As a Rigid Connection w/ (6) screws)

ATTACHMENT TO STRUCTURAL: **WELDED**

Clip designation	Stud gauge (mils) Yield Strength	ASD Allowable Loads (lbs)			
		F1 (In-Plane) w/ (6) #12-14	F2 (Tension) w/ (6) #12-14	F3 (Compression) w/ (6) #12-14	F4 (Shear) w/ (6) #12-14
UBC6-97 97mils (12ga)	33mils (20ga) 33ksi	190	1130	1130	425
	43mils (18ga) 33ksi	245	1680	1680	630
	54mils (16ga) 50ksi	265	2110	2540	1230
	68mils (14ga) 50ksi	265	2110	2540	1230
	97mils (12ga) 50ksi	265	2110	2540	1230
UBC8-97 97mils (12ga)	33mils (20ga) 33ksi	190	1130	1130	310
	43mils (18ga) 33ksi	240	1680	1680	460
	54mils (16ga) 50ksi	240	2110	2315	885
	68mils (14ga) 50ksi	240	2110	2315	885
	97mils (12ga) 50ksi	240	2110	2315	885
UBC10-97 97mils (12ga)	33mils (20ga) 33ksi	190	1130	1130	245
	43mils (18ga) 33ksi	225	1680	1680	360
	54mils (16ga) 50ksi	225	2110	2055	690
	68mils (14ga) 50ksi	225	2110	2055	690
	97mils (12ga) 50ksi	225	2110	2055	690
UBC12-97 97mils (12ga)	33mils (20ga) 33ksi	190	1130	1130	200
	43mils (18ga) 33ksi	195	1680	1680	295
	54mils (16ga) 50ksi	195	2110	2055	605
	68mils (14ga) 50ksi	195	2110	2055	630
	97mils (12ga) 50ksi	195	2110	2055	630



12ga Clip: (6) #12-14 Screws
14ga Clip: (6) #10-16 Screws
Shown in a UBC6 Clip

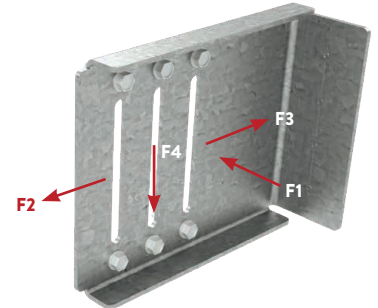
Notes:

- 1 Allowable Loads (ASD) have not been increased for the wind, seismic, or other factors.
- 2 Listed capacities are based on the maximum screw pattern. For maximum screw pattern for a Rigid Clip, fill screws in (6) round holes.
- 3 For 12ga Rigid clip, (6) #12-14 screws shall be installed in the pilot holes. For 14ga Rigid clip, (6) #10-16 screws shall be installed in the pilot holes.
- 4 The Allowable loads listed for welds are based on the following weld lengths:
- (2) Welds - 1" along back of short leg clip bend (each weld equally distanced from center of clip).
- 5 Use E70XX (min.) electrodes.
- 6 It is the responsibility of the design professional to verify that the connection design meets the requirements of the intended application.
- 7 Nominal or LRFD loads are available upon request.

UBC - 12ga (As a Rigid Connection w/ (6) screws)

ATTACHMENT TO STRUCTURAL: (4) #12-24 FASTENERS

Clip designation	Stud gauge (mils) Yield Strength	ASD Allowable Loads (lbs)			
		F1 (In-Plane) w/ (6) #12-14	F2 (Tension) w/ (6) #12-14	F3 (Compression) w/ (6) #12-14	F4 (Shear) w/ (6) #12-14
UBC6-97 97mils (12ga)	33mils (20ga) 33ksi	190	1130	1130	425
	43mils (18ga) 33ksi	245	1680	1680	630
	54mils (16ga) 50ksi	265	2115	2540	1230
	68mils (14ga) 50ksi	265	2115	2540	1230
	97mils (12ga) 50ksi	265	2115	2540	1230
UBC8-97 97mils (12ga)	33mils (20ga) 33ksi	190	1130	1130	310
	43mils (18ga) 33ksi	240	1680	1680	460
	54mils (16ga) 50ksi	240	2115	2315	885
	68mils (14ga) 50ksi	240	2115	2315	885
	97mils (12ga) 50ksi	240	2115	2315	885
UBC10-97 97mils (12ga)	33mils (20ga) 33ksi	190	1130	1130	245
	43mils (18ga) 33ksi	225	1680	1680	360
	54mils (16ga) 50ksi	225	2115	2055	690
	68mils (14ga) 50ksi	225	2115	2055	690
	97mils (12ga) 50ksi	225	2115	2055	690
UBC12-97 97mils (12ga)	33mils (20ga) 33ksi	190	1130	1130	200
	43mils (18ga) 33ksi	195	1680	1680	295
	54mils (16ga) 50ksi	195	2115	2055	605
	68mils (14ga) 50ksi	195	2115	2055	630
	97mils (12ga) 50ksi	195	2115	2055	630



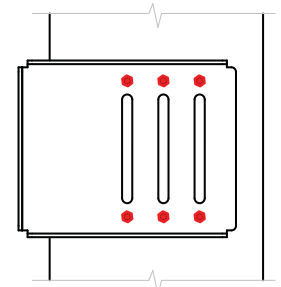
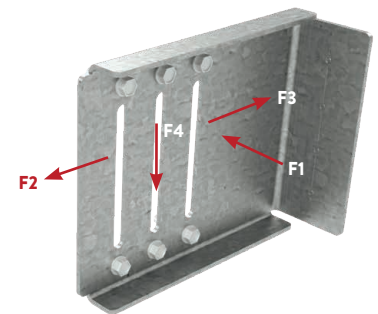
Notes:

- 1 Allowable Loads (ASD) have not been increased for the wind, seismic, or other factors.
- 2 An 1/8-in service deflection load limit was applied to clips resisting F2, F3 and F4 loads. In accordance with ICC AC 261, service deflection limit was not applied to clips resisting F1 loads.
- 3 Listed capacities are based on the maximum screw pattern. For maximum screw pattern for a Rigid Clip, fill screws in (6) round holes.
- 4 For 12ga Rigid clip, (6) #12-14 screws shall be installed in the pilot holes. For 14ga Rigid clip, (6) #10-16 screws shall be installed in the pilot holes.
- 5 #12-24 Fasteners shall be used for attachment to steel structure. (4) Fastener configuration shall be used. Screws should be placed at indentations scribed on the short leg of the UBC clip.
- 6 The minimum edge distance for each fastener type shall comply with the fastener manufacturer's recommendation.
- 7 It is the responsibility of the design professional to verify that the connection design meets the requirements of the intended application.
- 8 Nominal or LRFD loads are available upon request.

UBC - 12ga (As a Rigid Connection w/ (6) screws)

ATTACHMENT TO STRUCTURAL: (4) 0.157" PAFs

Clip designation	Stud gauge (mils) Yield Strength	ASD Allowable Loads (lbs)			
		F1 (In-Plane) w/ (6) #12-14	F2 (Tension) w/ (6) #12-14	F3 (Compression) w/ (6) #12-14	F4 (Shear) w/ (6) #12-14
UBC6-97 97mils (12ga)	33mils (20ga) 33ksi	190	1130	1130	425
	43mils (18ga) 33ksi	245	1680	1680	630
	54mils (16ga) 50ksi	265	2000	2540	1230
	68mils (14ga) 50ksi	265	2000	2540	1230
	97mils (12ga) 50ksi	265	2000	2540	1230
UBC8-97 97mils (12ga)	33mils (20ga) 33ksi	190	1130	1130	310
	43mils (18ga) 33ksi	240	1680	1680	460
	54mils (16ga) 50ksi	240	2000	2315	885
	68mils (14ga) 50ksi	240	2000	2315	885
	97mils (12ga) 50ksi	240	2000	2315	885
UBC10-97 97mils (12ga)	33mils (20ga) 33ksi	190	1130	1130	245
	43mils (18ga) 33ksi	225	1680	1680	360
	54mils (16ga) 50ksi	225	2000	2055	690
	68mils (14ga) 50ksi	225	2000	2055	690
	97mils (12ga) 50ksi	225	2000	2055	690
UBC12-97 97mils (12ga)	33mils (20ga) 33ksi	190	1130	1130	200
	43mils (18ga) 33ksi	195	1680	1680	295
	54mils (16ga) 50ksi	195	2000	2055	605
	68mils (14ga) 50ksi	195	2000	2055	630
	97mils (12ga) 50ksi	195	2000	2055	630



12ga Clip: (6) #12-14 Screws
14ga Clip: (6) #10-16 Screws
Shown in a UBC6 Clip

Notes:

- 1 Allowable Loads (ASD) have not been increased for the wind, seismic, or other factors.
- 2 Nominal or LRFD loads are available upon request.
- 3 Listed capacities are based on the maximum screw pattern. For maximum screw pattern for a Rigid Clip, fill screws in (6) round holes.
- 4 For 12ga Rigid clip, (6) #12-14 screws shall be installed in the pilot holes. For 14ga Rigid clip, (6) #10-16 screws shall be installed in the pilot holes.
- 5 0.157" Hilti X-U PAFs shall be used for attachment to steel structure. (4) Fastener configuration shall be used. PAFs should be placed at indentations scribed on the short leg of the UBC clip.
- 6 Capacities considered for Hilti PAFs are based on fastener strengths listed in ICC ESR-2269.
- 7 It is the responsibility of the design professional to verify that the connection design meets the requirements of the intended application.
- 8 An 1/8-in service deflection load limit was applied to clips resisting F2, F3 and F4 loads. In accordance with ICC AC 261, service deflection limit was not applied to clips resisting F1 loads.