

"L" and "T" Strap Ties

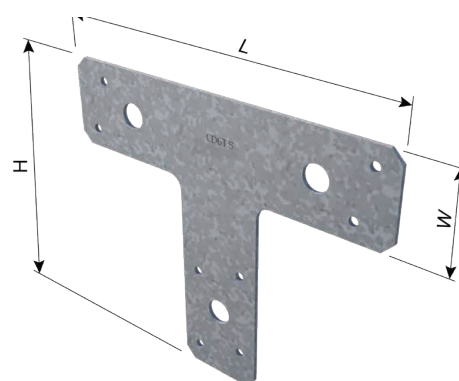
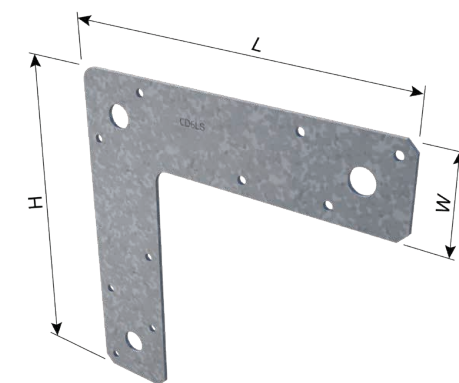
Economical braces are ideal for gates, patio covers, joining posts and columns to headers, beams and other applications where added reinforcement is needed. Braces may be bolted for heavy-duty applications.

MATERIAL SPECIFICATIONS

- Gauge:** 14ga (68mil)
- Design Thickness:** 0.0713 inches
- Coating:** G90 (Z275) hot-dipped galvanized coating
- Yield Strength:** Structural Grade 50 Type H (ST50H), 50ksi (340 MPa)

CODE REPORT

- ICC-ES ESR-5079



"L" and "T" Strap Ties (CD6LS, CD6TS)

Product Code	Gauge	Dimensions ⁴			Fastener Scheduling				LOAD ⁷ DIR.	Allowable Load (lbf)			
		H	L	W	Post		Beam			C _D = 1.00	C _D = 1.15	C _D = 1.25	C _D = 1.60
					Qty.	Type ⁵	Qty.	Type ⁵					
CD6LS	14	6"	6"	1-1/2"	4	10d x 2-1/2	6	10d x 2-1/2	F ₁	240	240	240	240
									Uplift	425	425	425	425
CD6TS	14	5"	6"	1-1/2"	4	10d x 2-1/2	4	10d x 2-1/2	F ₁	280	280	280	280
									Uplift	370	370	370	370

Notes:

- For SI: 1 inch = 25.4 mm, 1 pound (lb) = 4.45 N
- ¹ The tabulated allowable loads are for a single clip.
- ² The tabulated allowable loads have been adjusted for the load duration factors, C_D, as shown, in accordance with the NDS. The tabulated allowable loads do not apply to loads of other load durations, and are not allowed to be adjusted for other load durations. See Sections 4.1 and 4.2 in ESR-0579 for additional design and installation requirements.
- ³ The tabulated allowable loads are for installations on wood members complying with Section 3.2.1 of the ESR-5079 report.
- ⁴ See images below for product dimension definitions.
- ⁶ Refer to Section 3.2.3 of ESR-5079 for nail actual sizes and the required minimum physical properties.
- ⁷ F₁ is the load parallel to the beam.



CD6LS Installation



CD6TS Installation

